



**FOOD EQUIPMENT**

*SERVING THE FOOD INDUSTRY SINCE 1951*

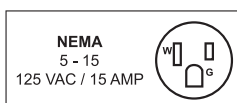
# JUICE EXTRACTOR

Item: 10865 Model: JE-BR-1750



**CREATE PERFECT, NUTRITIOUS DRINKS  
IDEALLY MADE FOR YOUR KITCHEN**

Extract rich, healthy, and delicious citrus juices with Omcan's Citrus Juicer. Combine different citrus fruits using this excellent juice extractor to create a perfect, nutritious blend. This product is very convenient in serving your customers and/or guests fresh lemonade, orange juice, and other citrus beverages. Its compact size is very convenient in every kitchen as it can fit anywhere and its citrus crown is detachable for easy cleaning.



Authorized Dealer

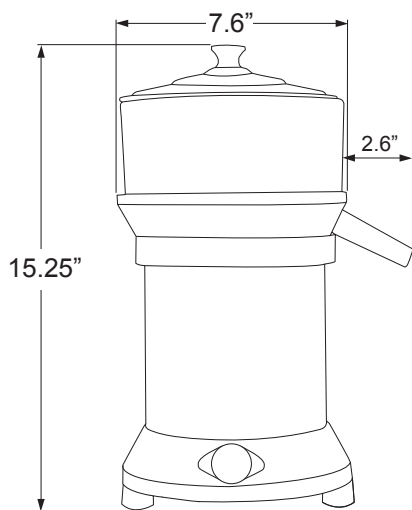
# FOOD EQUIPMENT

JUICE EXTRACTOR 10865



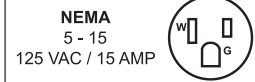
The JE-BR-1750 provides a higher rotation speed than standard juice extractors. The machine comes with a small and large citrus crown, easily switchable depending on the size of the fruit. The sturdy and reliable machine is ideal for restaurants, juice shops or fast food restaurants.

## TECHNICAL DRAWING AND DIMENSIONS



## TECHNICAL SPECIFICATION

ITEM	10865
MODEL	JE-BR-1750
POWER	0.25 HP / 0.19 kW
RPM	1750
ELECTRICAL	110V/60Hz/1Ph
WEIGHT	12 lbs. / 5 kg
PACKAGING WEIGHT	13 lbs / 6 kg
DIMENSIONS (DWH)	7.6" x 7.6" x 15.25" 193 x 193 x 387.3 mm
PACKAGING DIMENSIONS	8.75" x 14.5" x 15.6" 222 x 368 x 396 mm



## OMCAN INC.

Telephone: 1-800-465-0234

Fax: (905) 607-0234

Email: sales@omcan.com

Website: www.omcan.com



Follow us to keep up to date with the latest news and offers



2015.E.O.E